



Suzuki GSX-R 1000 (2007)

Slip-On Exhaust System

Akrapovic Slip-On Exhaust System

for the Suzuki GSX-R 1000 (2007)

Akrapovic SLIP-ON is a partial system and represents a first-level exhaust system tuning component. It provides a major performance improvement for the already powerful Suzuki. The system is designed for riders who are looking for a combination of performance, quality, simple installation and affordability. With Akrapovic SLIP-ON single muffler system you will also benefit from dras-tical weight saving. Racing-oriented riders should check out our Racing and Evolution complete systems. Please note that single muffler SLIP-ON is available only in open version.

PERFORMANCE

Measurements of the Akrapovic SLIP-ON system on the SUZUKI GSX-R 1000 (without noise damper):

Power & Torque: The power curve with Akrapovic exhaust system is much more linear, from bottom to top of the power curve. Max. power of 172,1 HP is reached at 12000 rpm. The torque curve reflects the same compatibility with the operation of the engine. The increase can be seen throughout the entire rpm range, so you get bags of torque to go along with the loads of power. Biggest power gain of 6,9 HP is at 7000 rpm. All our measurements are with standard Suzuki mapping.

CONFIGURATION

The Akrapovic SLIP-ON system is composed of a cylindrical stainless steel or titanium link pipe and muffler. The link pipe is attached to the stock header assembly with sleeve joints and metal clamp. The sleeve joint between Link pipe and Muffler is secured with silicon shielded springs. The muffler is attached to the frame with an Akrapovic carbon-fiber clamp. The inlet caps and inner perforation of the muffler are made entirely of titanium, and the outer sleeve is available in either titanium or carbon-fiber. Outlet cap is available only in carbon fiber.

	PERFORMANCE		
	stock	AKRAPOVIC	max. increased power
max. rear wheel power HP / rpm (measured on SuperFlow Cyle Dyn)	170.2 / 12100	172.1 / 12000	6.9 / 7000

	CONFIGURATION		
	header tubes	collector	link pipe
material	-	-	S.S. / Ti
tube shape	-	-	CYLINDRICAL

interference crossover tubes	-	lambda sensor	YES
header tube inner sleeves	-	header tube flanges	-
header tubes - collector connection	-	collector / header tube - link pipe connection	SLEEVE JOINT + METAL CLAMP
link pipe - muffler connection	SLEEVE JOINT + SILICON SHIELDED SPRINGS	muffler inlet cap / outlet cap	Ti / Carbon-fiber
muffler metal interior	Ti	muffler outer sleeve	Ti / Carb.-fiber
muffler clamp	Carb.-fiber	muffler bracket	-
muffler insert	EU	YES(track legal)	heat shield
	US	-	catalytic converter

	ADDITIONAL DATA				
	stock	AKRAPOVIC		difference	
		S.S. link pipe	TITANIUM link pipe	stock - S.S.	stock - titanium
weight comparison (kg)	6.54	2.59	2.25	3.95	4.29

noise measurements (dB / rpm)	stock	AKRAPOVIC
	96 / 6000	100.5dB / 6000 (with insert)
possibility of periodic service without removing A.E.S.	oil	oil filter
	YES	YES
legal for street use	NO	

Technical specifications of Akrapovic exhaust systems and related products subject to change without notice.

Product code: 107862 (S-S10SO4-RC), 107861 (S-S10SO4-RT)
107860 (S-S10SO4T-RC), 107859 (S-S10SO4T-RT)

Akrapovic Slip-On Exhaust System for the Suzuki GSX-R 1000 (2007)



CARBON-FIBER
MUFFLER CLAMP

Road
Program

Product code: 107862 (S-S10SO4-RC), 107861 (S-S10SO4-RT)
107860 (S-S10SO4T-RC), 107859 (S-S10SO4T-RT)

Akrapovic Slip-On Exhaust System for the Suzuki GSX-R 1000 (2007)



Akrapovic Exhaust System Technology copyright 2007, all rights reserved

Road
Program

Product code: 107862 (S-S10SO4-RC), 107861 (S-S10SO4-RT)
107860 (S-S10SO4T-RC), 107859 (S-S10SO4T-RT)

Akrapovic Slip-On Exhaust System for the Suzuki GSX-R 1000 (2007)

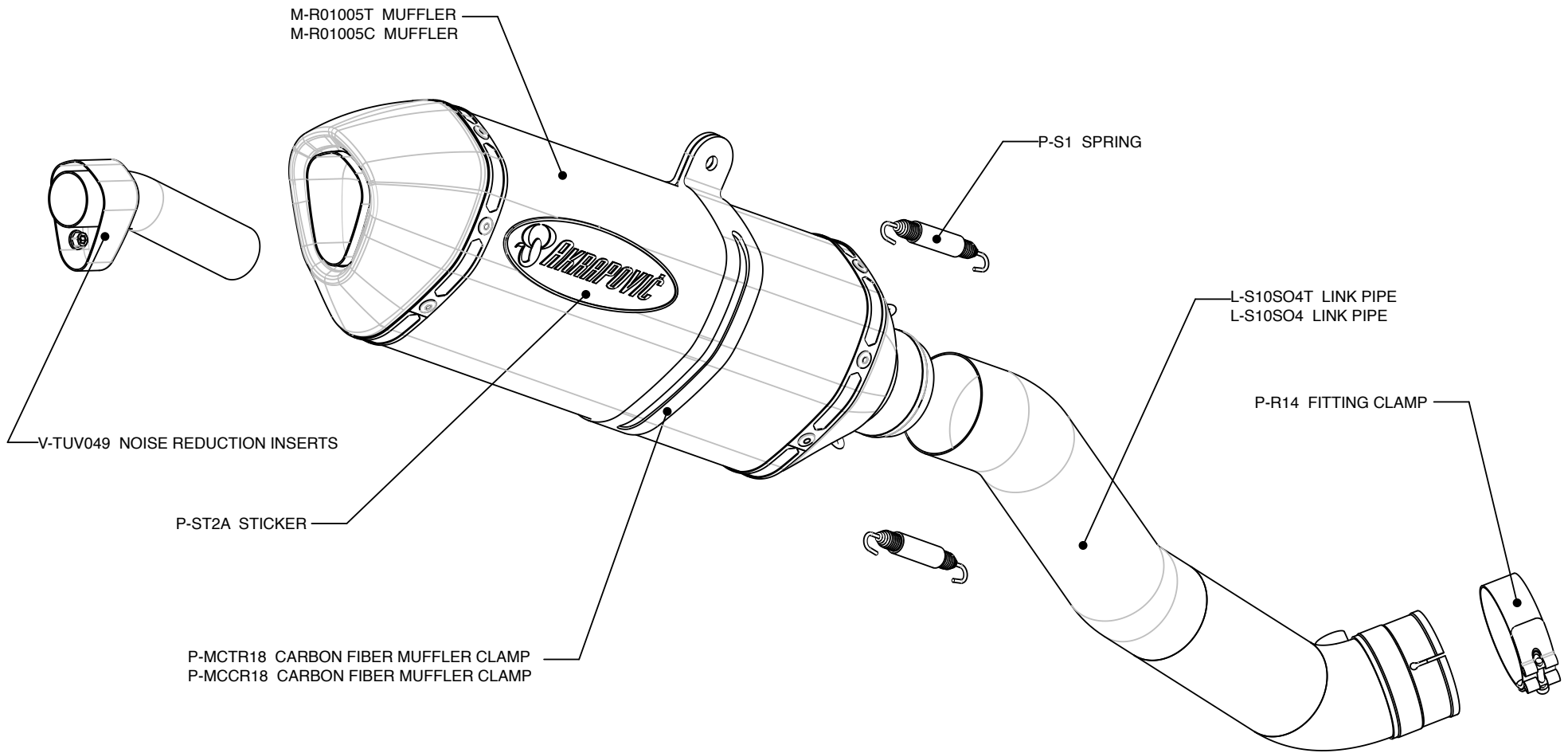


Akrapovic Exhaust System Technology copyright 2007, all rights reserved

Road
Program

Product code: 107862 (S-S10SO4-RC), 107861 (S-S10SO4-RT)
107860 (S-S10SO4T-RC), 107859 (S-S10SO4T-RT)

Akrapovic Slip-On Exhaust System for the Suzuki GSX-R 1000 (2007)



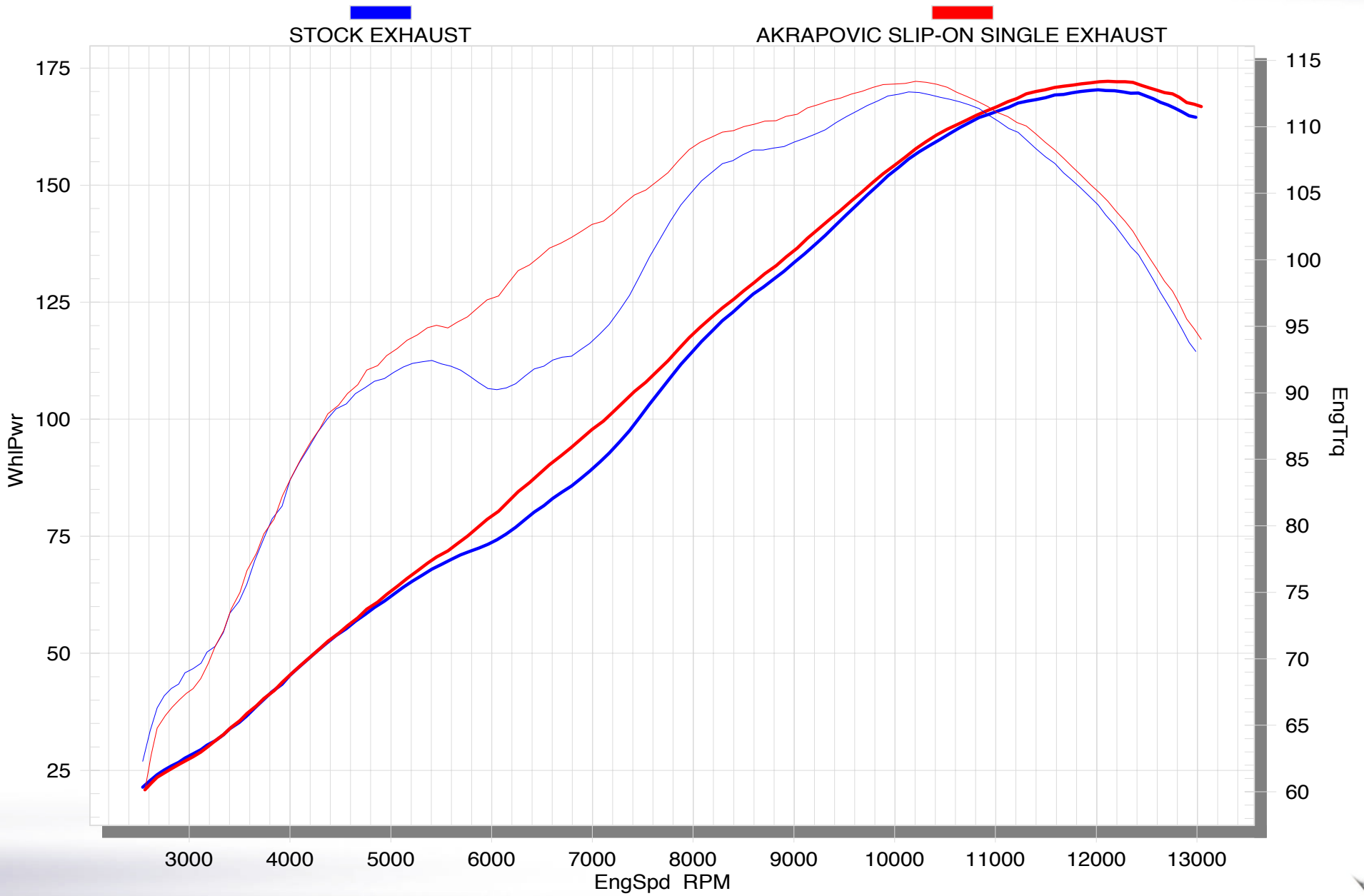
Akrapovic Exhaust System Technology copyright 2007, all rights reserved

Road Program

Product code: 107862 (S-S10SO4-RC), 107861 (S-S10SO4-RT)
107860 (S-S10SO4T-RC), 107859 (S-S10SO4T-RT)



Akrapovic Slip-On Exhaust System for the Suzuki GSX-R 1000 (2007)



Road Program

Product code: 107862 (S-S10SO4-RC), 107861 (S-S10SO4-RT)
107860 (S-S10SO4T-RC), 107859 (S-S10SO4T-RT)



Akrapovic Exhaust System Technology copyright 2007, all rights reserved