



**SUZUKI GSR 600**

**(2006 - 2009)**

**SLIP-ON SP SERIES EXHAUST SYSTEM**

[www.akrapovic.com](http://www.akrapovic.com)

The Akrapovic Slip-On system is designed for riders who are looking for a base-level exhaust system modification. It is an excellent combination of performance, production quality and affordability. The special muffler design complements the sports styling of the Suzuki. Slip-on exhaust system comply to noise levels for street use, therefore it legal for street use.

**PERFORMANCE**

**Measurements of the Akrapovic SLIP-ON street legal system on the SUZUKI GSR 600 (without muffler insert):**

Power & Torque: the Akrapovic Slip-On system delivers increase engine responsiveness. The increase gradually expands from the low end up to around 6000 rpm. From there to the top of the range the increase remains at the same level. At 12700 rpm we measured 94.4 HP, with a max. increase of power of 1.6 HP at 10800 rpm.

**CONFIGURATION**

The Akrapovic Slip-On system for the Suzuki is composed of a cylindrical stainless steel link pipe and a pair of oval mufflers. The link pipe is attached to the stock header assembly with sleeve joint and a metal clamp. The outer sleeve of the mufflers are available in titanium. The inlet caps, outlet caps and perforated inner sleeves are made of stainless steel. The system is attached to the frame using a stainless steel bracket.

	PERFORMANCE		
	stock	AKRAPOVIC	max. increased power
max. rear wheel power HP / rpm <small>(measured on Dynojet ATV)</small>	92.7 / 12600	94.4 / 12700	1.6 / 10800

	CONFIGURATION		
	header tubes	collector	link pipe
material	-	-	STAINLESS STEEL
tube shape	-	-	CYLINDRICAL

interference crossover tubes	-	lambda sensor	-	
header tube inner sleeves	-	header tube flanges	-	
header tubes - collector connection	-	collector / header tube - link pipe connection	SLEEVE JOINT + METAL CLAMP	
link pipe - muffler connection	WELDED	muffler inlet cap /outlet cap	STAINLESS STEEL / STAINLESS STEEL	
muffler metal interior	STAINLESS STEEL / TITANIUM (megaphone)	muffler outer sleeve	STAINLESS STEEL	
muffler clamp	CARBON-FIBER	muffler bracket	STAINLESS STEEL	
muffler insert	EU	NOISE DAMPER	heat shield	YES (S.S.)
	US	-	catalytic converter	YES (2x)

	ADDITIONAL DATA				
	stock	AKRAPOVIC		difference	
		S.S. link pipe	TITANIUM link pipe	stock - S.S.	stock - titanium
weight comparison (kg)	5.47	3.86	-	1.61	-

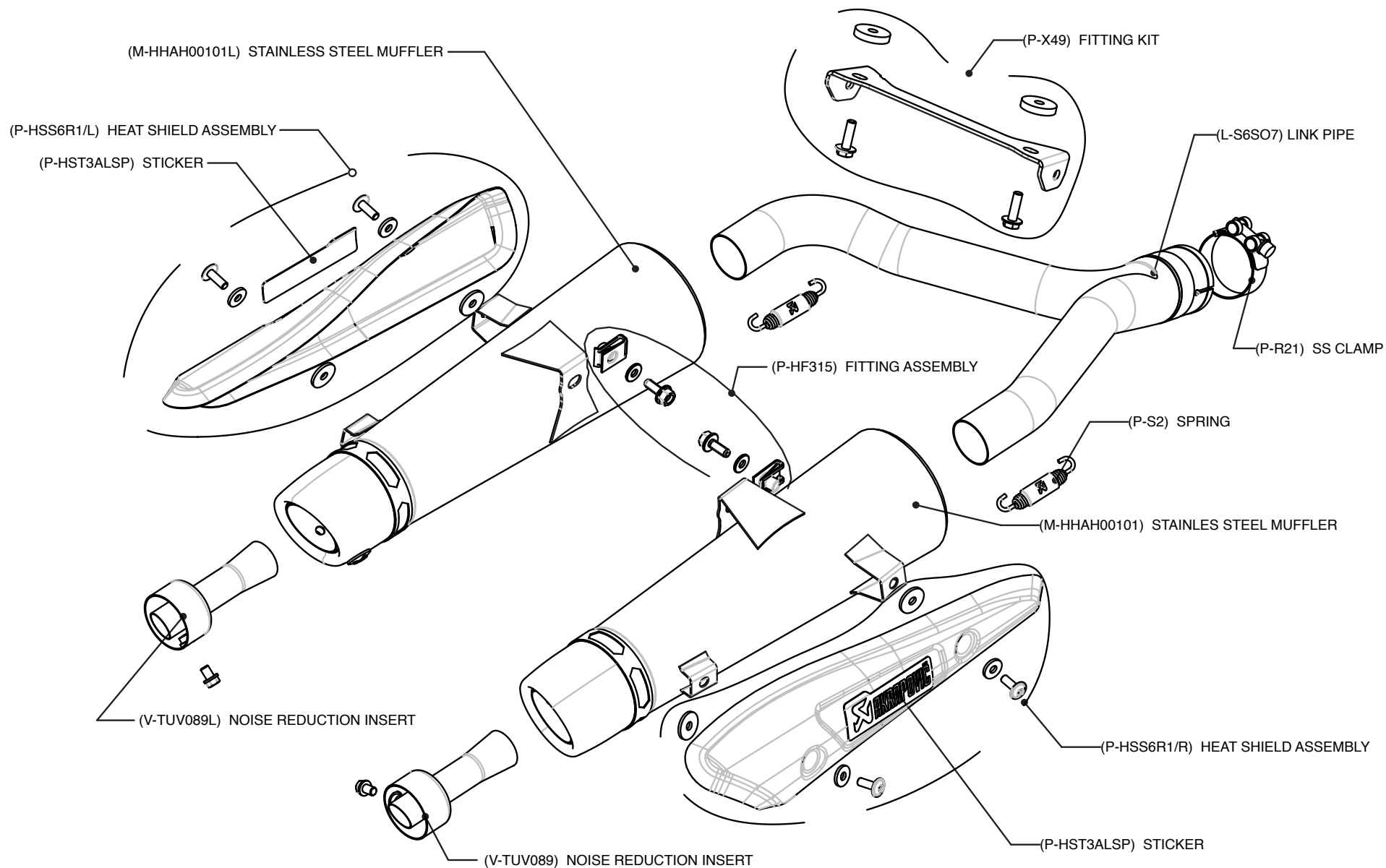
noise measurements (dB / rpm)	stock	AKRAPOVIC
	90 / 6000	90 / 6000
possibility of periodic service without removing A.E.S.	oil	oil filter
	YES	YES
legal for street use	YES	

Technical specifications of Akrapovic exhaust systems and related products subject to change without notice.









Product code: (109434) SS-S6SO7-HHAH

