



SUZUKI GSF 650 BANDIT

SLIP-ON STREET-LEGAL EXHAUST SYSTEM

Akrapovic SLIP-ON is a first-level exhaust system tuning component. It provides a significant performance improvement for the Suzuki GSF 650 BANDIT. The system is designed for riders who are looking for a combination of performance, high quality, simple installation and affordability. With Akrapovic SLIP-ON Hexagonal muffler system made of titanium you will also benefit from weight savings and deeper and sportier sound. SLIP-ON system is homologated and approved for street use.

PERFORMANCE

Measurements of the Akrapovic SLIP-ON system on the SUZUKI GSF 650 BANDIT (without noise damper):

Power & Torque: The power curve with Akrapovic exhaust system is much more linear, from bottom to top of the power curve. Maximum power of 78.7 HP is reached at 10820 rpm. The torque curve reflects the same compatibility with the operation of the engine. The increase can be seen throughout the entire rpm range. Biggest power gain of 2.8 HP is at 7300 rpm.



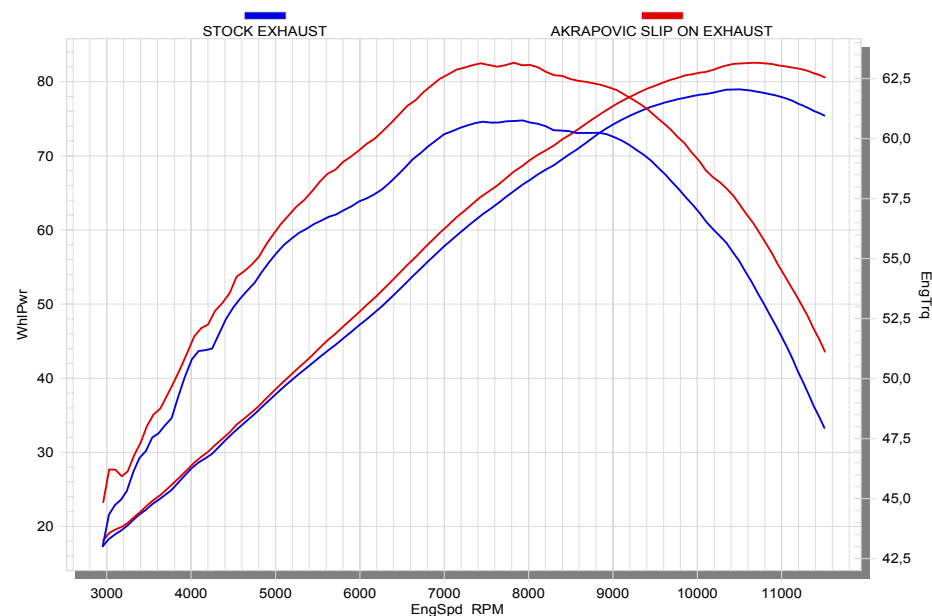
PERFORMANCE			
	stock	AKRAPOVIC	max. increased power
max. rear wheel power HP / rpm (measured on Dynojet ATV)	77 / 10430	78.7 / 10820	2.8 / 7300

ADDITIONAL DATA					
weight comparison (kg)	stock	AKRAPOVIC		difference	
	6.47	SS link pipe	TITANIUM link pipe	stock - S.S.	stock - TITANIUM
		-	2.16	-	4.31

weight comparison (kg)	stock	AKRAPOVIC
		87.6 / 5250
legal for street use	YES	

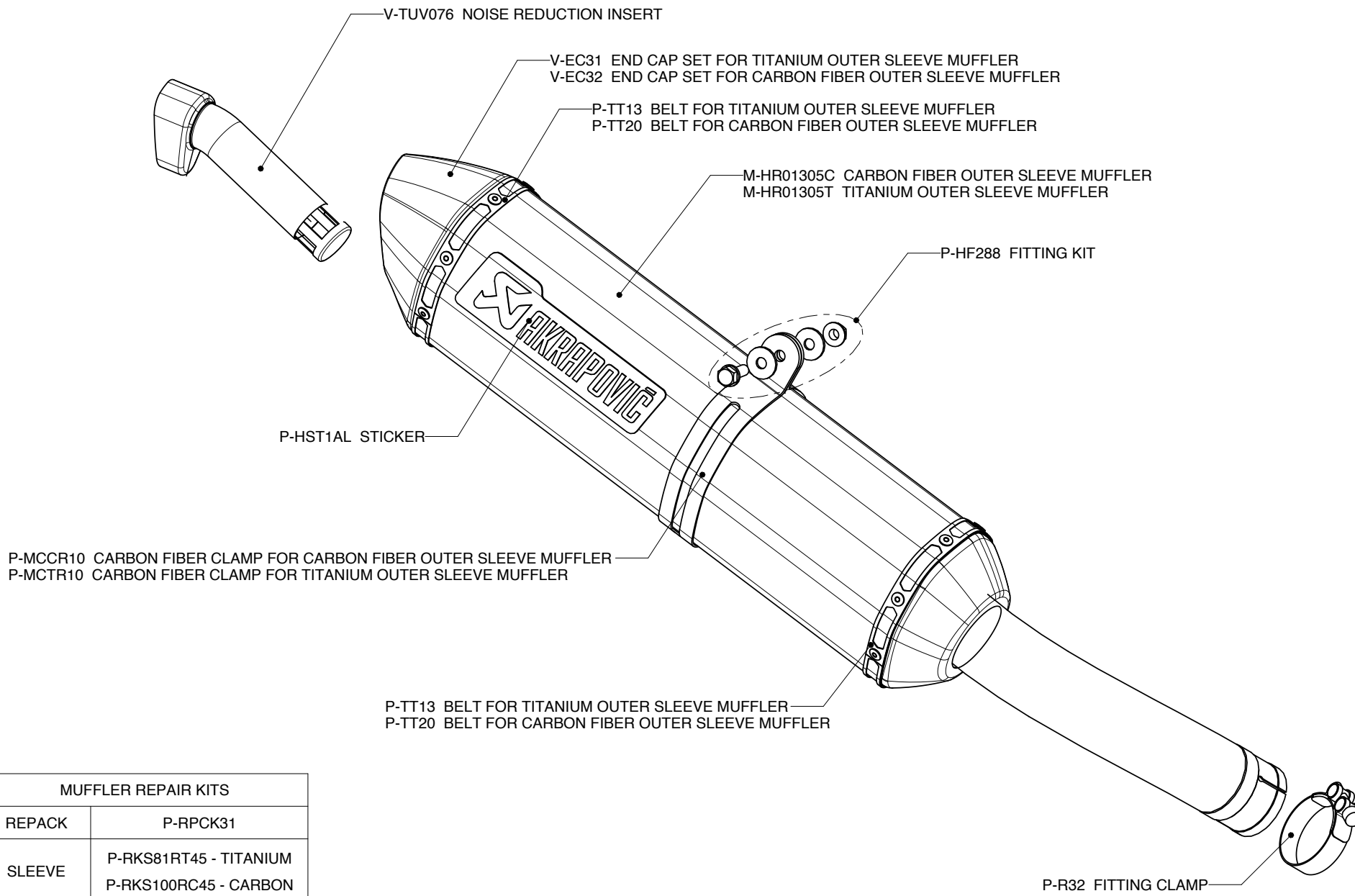
Technical specifications of Akrapovic exhaust systems and related products subject to change without notice.

Product code: S-S12SO3-HRT, S-S12SO3-HRC



www.akrapovic.com

Akrapovic d.d. 2010 all rights reserved
28.12.2010



MUFFLER REPAIR KITS	
REPACK	P-RPCK31
SLEEVE	P-RKS81RT45 - TITANIUM
	P-RKS100RC45 - CARBON

Product code: S-S12SO3-HRT, S-S12SO3-HRC