



Kawasaki KX 450 F (2006)

Slip-On Exhaust System

Akrapovic Slip-On Exhaust System

for the Kawasaki KX 450 F (2006)

The Akrapovic SLIP-ON was designed for recreational MX riders who are looking for aesthetic enhancement or a high-quality replacement for their damaged stock exhaust. Of course in addition there is also a boost in performance.

It is designed for two markets: for the European and other markets it comes with a built-in noise damper, and for the American market it comes with an approved spark arrester.

PERFORMANCE

Measurements of the Akrapovic SLIP-ON system on the KAWASAKI KX 450 F (without spark arrester & noise damper):

Power & Torque: the Akrapovic Slip-On system works extremely well with the engine configuration. Power and torque are both increased in the middle and low end of the range, which is well suited to the needs of recreational riders, while they follow the stock curves at the top end and in the overrev range. The max. increased power between the Akrapovic Slip-On and stock systems is 1.9 HP at 10700 rpm in overrev range.

CONFIGURATION

The Akrapovic Slip-On system is composed of a flared stainless steel link pipe which is welded to the muffler. It is attached to the stock header assembly with a sleeve joint secured with a metal clamp. The inlet cap and inner perforation are made of stainless steel, and the outlet cap is titanium. The muffler is attached to the KX-F with Akrapovic offroad carbon-fiber clamp. The system comes with a built-in noise damper for the European and other markets, and an approved spark arrester for the American market, which is marked with a laser engraving.

	PERFORMANCE		
	stock	AKRAPOVIC	max. increased power
max. rear wheel power HP / rpm (measured on Dynojet ATV)	49.8 / 8600	49.8 / 8600	1.9 / 10700

	CONFIGURATION		
	header tubes	collector	link pipe
material	-	-	STAINLESS STEEL
tube shape	-	-	FLARED

interference crossover tubes	-	lambda sensor	NO
header tube inner sleeves	-	header tube flanges	-
header tubes - collector connection	-	collector / header tube - link pipe connection	GRAPHITE GASKET +METAL CLAMP
link pipe - muffler connection	WELDED	muffler inlet cap /outlet cap	STAINLESS STEEL / TITANIUM
muffler metal interior	STAINLESS STEEL	muffler outer sleeve	TITANIUM
muffler clamp	CARBON-FIBER OFFROAD	muffler bracket	-
muffler insert	EU	NOISE DAMPER	-
	US	SPARK ARRESTER	catalytic converter

	ADDITIONAL DATA				
	stock	AKRAPOVIC		difference	
weight comparison (kg)	2.58	S.S. link pipe	Ti. link pipe	stock - S.S. link pipe	stock - Ti. link pipe
		2.33	-	0.35	-
noise measurements (dB / rpm)	stock		AKRAPOVIC		
	96 / 4500		96 / 4500		
possibility of periodic service without removing A.E.S.	oil		oil filter		
	YES		YES		
legal for street use	NO				

Technical specifications of Akrapovic exhaust systems and related products subject to change without notice.

Product code: 107082 (S-K4SO2-MT)
107084 (S-K4SO2-MTA) US market

Akrapovic Slip-On Exhaust System for the Kawasaki KX 450 F (2006)



CARBON-FIBER
MUFFLER CLAMP

Product code: 107082 (S-K4SO2-MT)
107084 (S-K4SO2-MTA) US market

Akrapovic Slip-On Exhaust System for the Kawasaki KX 450 F (2006)



Akrapovic Exhaust System Technology copyright 2006, all rights reserved

Off-Road
Program

Product code: 107082 (S-K4SO2-MT)
107084 (S-K4SO2-MTA) US market

Akrapovic Slip-On Exhaust System for the Kawasaki KX 450 F (2006)

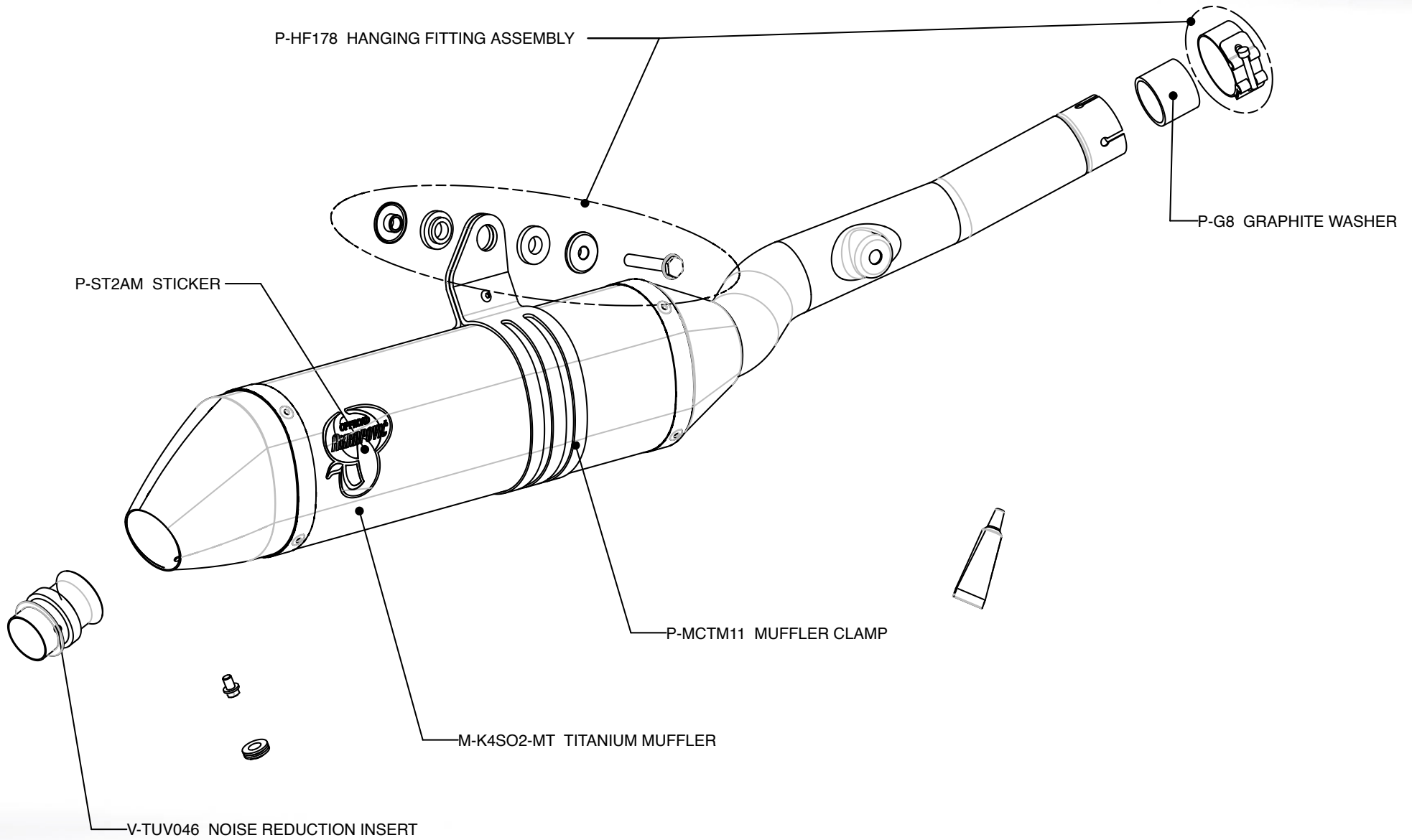


Akrapovic Exhaust System Technology copyright 2006, all rights reserved

Off-Road
Program

Product code: 107082 (S-K4SO2-MT)
107084 (S-K4SO2-MTA) US market

Akrapovic Slip-On Exhaust System for the Kawasaki KX 450 F (2006)



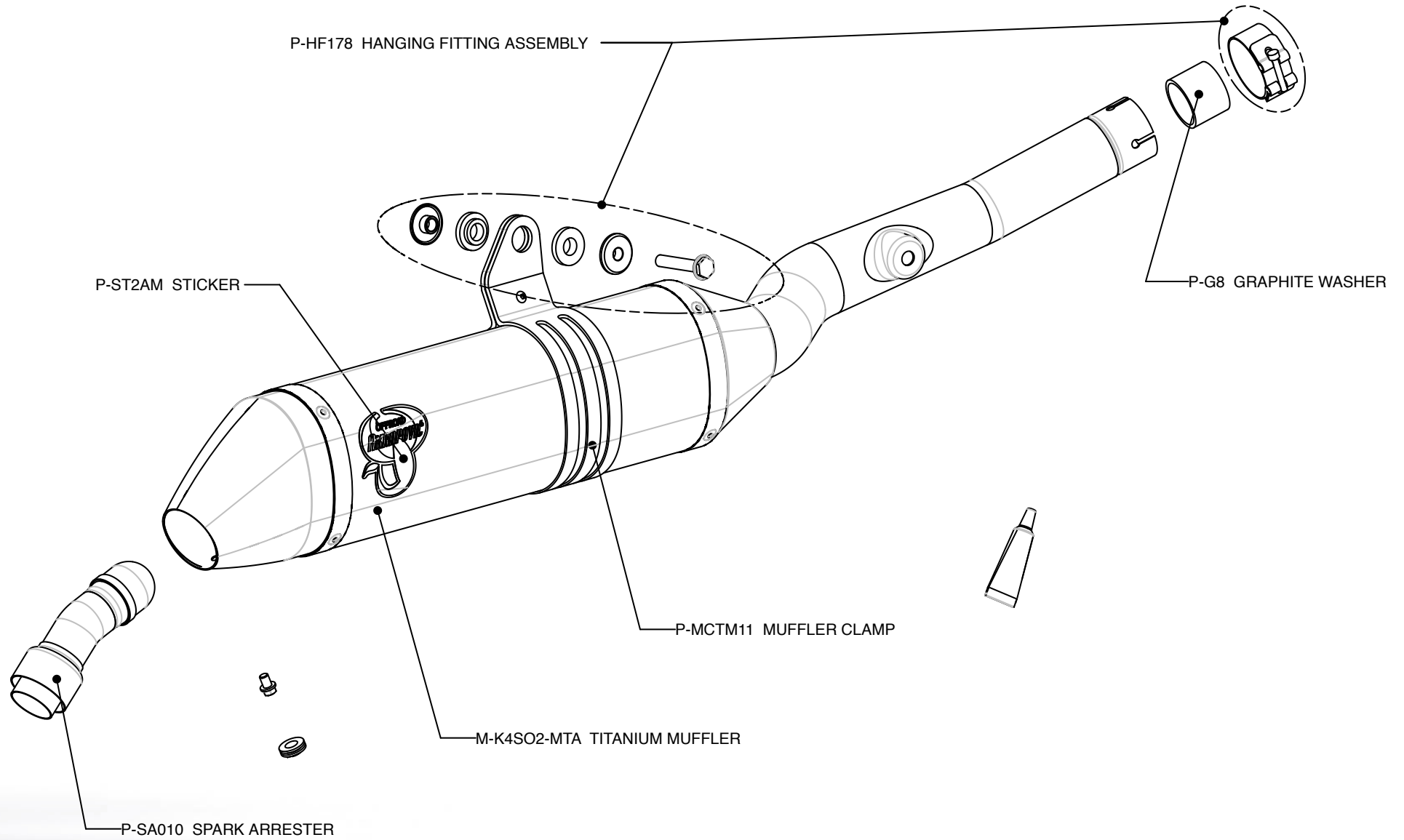
Akrapovic Exhaust System Technology copyright 2006, all rights reserved

Off-Road
Program

Product code: 107082 (S-K4SO2-MT)

Akrapovic Slip-On Exhaust System for the Kawasaki KX 450 F (2006)

Akrapovic Exhaust System Technology copyright 2006, all rights reserved

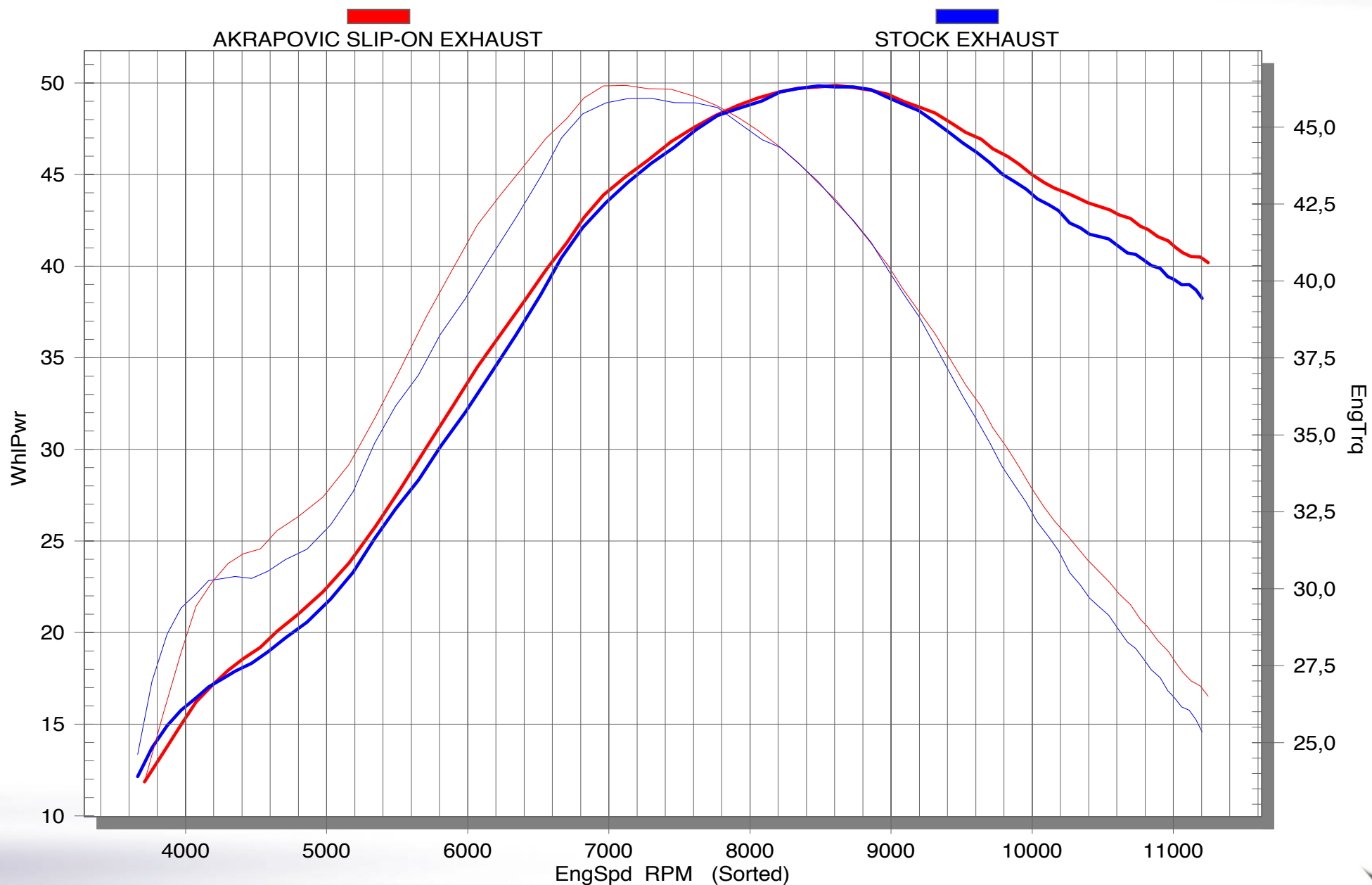


Off-Road
Program

Product code: 107084 (S-K4SO2-MTA) US market

Akrapovic Slip-On Exhaust System

for the Kawasaki KX 450 F (2006)



Off-Road Program

Product code: 107082 (S-K4SO2-MT)
107084 (S-K4SO2-MTA) US market

