



HONDA CB 1000 R
(2008)

SLIP-ON STREET LEGAL EXHAUST SYSTEM

www.akrapovic.com

The Akrapovic SLIP-ON exhaust system is designed for riders who want to upgrade the looks and performance of their bikes at an affordable price, without making a major modification. The Street Legal version of this system officially conforms to all exhaust system noise level regulations for street use.

PERFORMANCE

Measurements of the Akrapovic SLIP-ON system on the HONDA CB 1000 R (without muffler insert):

Power & Torque: The SLIP-ON system offers a performance increase throughout the entire rpm range. At 9550 rpm we measured 113.2 HP. The situation for the torque curve is similar, with the best results coming in the rpm range around 3500 rpm and 6500 rpm, where the dropout in the stock curve is filled.

CONFIGURATION

The Akrapovic SLIP-ON exhaust system is made of two basic components: a muffler and stainless steel link pipe. The independent link pipe is attached to the stock header assembly with a sleeve joint, secured with a metal clamp. The link pipe and muffler are connected with a sleeve joint, which is secured with a silicon-shielded springs. The muffler outer sleeve is available in either titanium or carbon fiber. The muffler is attached to the frame using an Akrapovic carbon fiber clamp. The system includes a noise damper installed in the muffler for the Street Legal version.

WARNING!

Akrapovic slip-on street legal **with optional link pipe** for Honda CB1000R 2008 **MUST** be used in combination with PowerCommander III USB unit and suitable mapp otherwise you risk engine damage!

PC III USB mappings (soon) available for HONDA CB1000R on www.powercommander.com:
 - M135-502 (with DB killer)
 - M135-503 (without DB killer)

Technical specifications of Akrapovic exhaust systems and related products subject to change without notice.

	PERFORMANCE		
	stock	AKRAPOVIC	max. increased power
max. rear wheel power HP / rpm (measured on Dynojet ATV)	109.8 / 9600	113.2 / 9550	5.4 / 7000

	CONFIGURATION		
	header tubes	collector	link pipe
material	-	-	STAINLESS STEEL / TITANIUM
tube shape	-	-	CYLINDRICAL

interference crossover tubes	-	lambda sensor	YES	
header tube inner sleeves	-	header tube flanges	-	
header tubes - collector connection	-	collector / header tube - link pipe connection	METAL CLAMP WITH HOOK FOR SPRING+ SLEEVE JOINT+ METAL CLAMP	
link pipe - muffler connection	SLEEVE JOINT+ SILICON SHIELDED SPRINGS	muffler inlet cap /outlet cap	TITANIUM / CARBON-FIBER	
muffler metal interior	TITANIUM	muffler outer sleeve	TITANIUM / CARBON-FIBER	
muffler clamp	CARBON-FIBER	muffler bracket	STAINLESS STEEL	
muffler insert	EU	NOISE DAMPER	heat shield	Optional (carbon fiber)
	US	-	catalytic converter	NO

	ADDITIONAL DATA				
	stock	AKRAPOVIC		difference	
weight comparison (kg)	7.25	S.S. link pipe	TITANIUM link pipe	stock - S.S.	stock - titanium
		2.51	-	4.74	-
noise measurements (dB / rpm)	stock		AKRAPOVIC		
	86 / 3750		86 / 3750		
possibility of periodic service without removing A.E.S.	oil		oil filter		
	YES		YES		
legal for street use	YES				



Product code: (110075) S-H10SO7T-HTC, (110074) S-H10SO7T-HTT Street legal
(110090) L-H10SO5L – Optional Link pipe **READ WARNING**



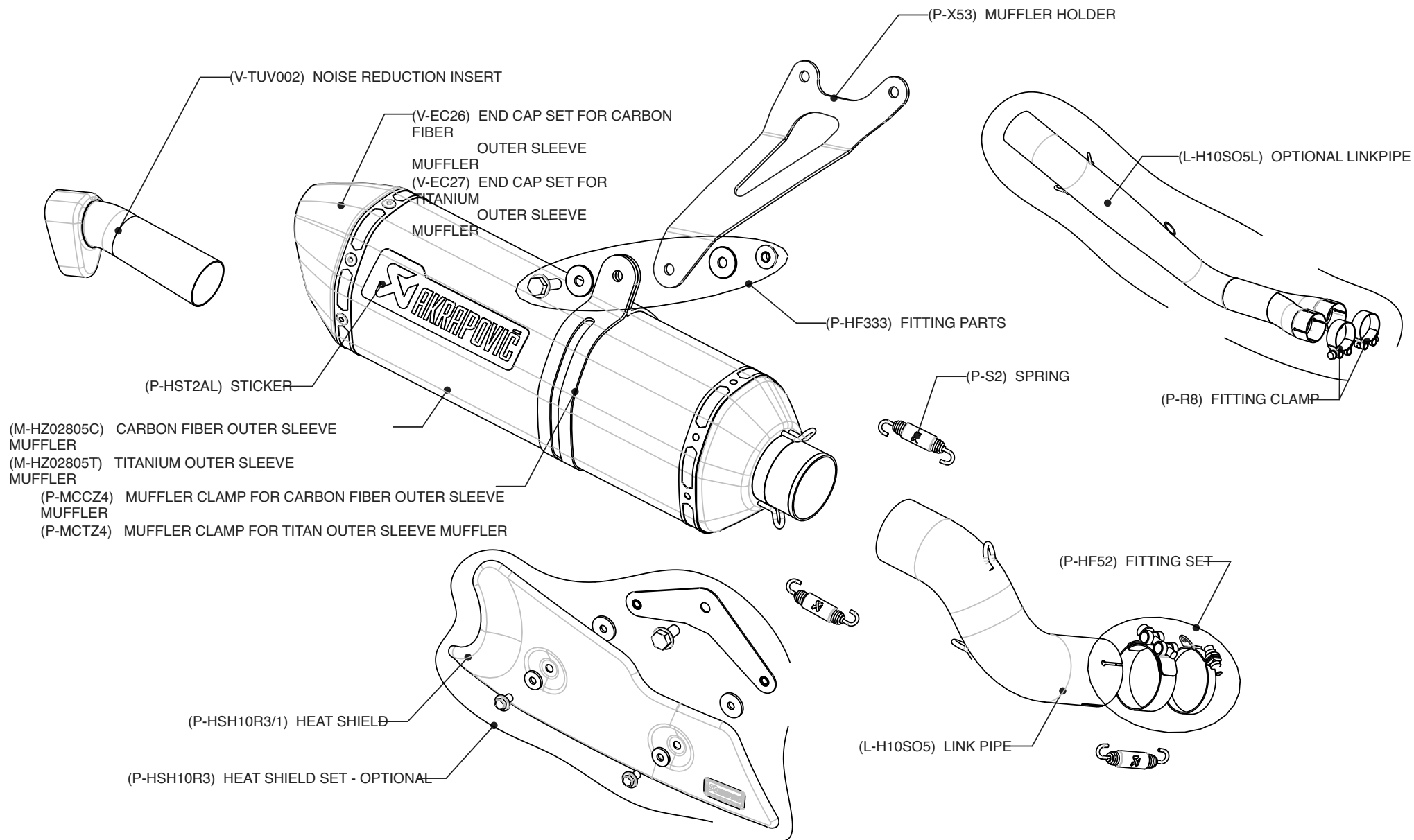
Product code: (110075) S-H10SO7T-HTC, (110074) S-H10SO7T-HTT Street legal
(110090) L-H10SO5L – Optional Link pipe **READ WARNING**



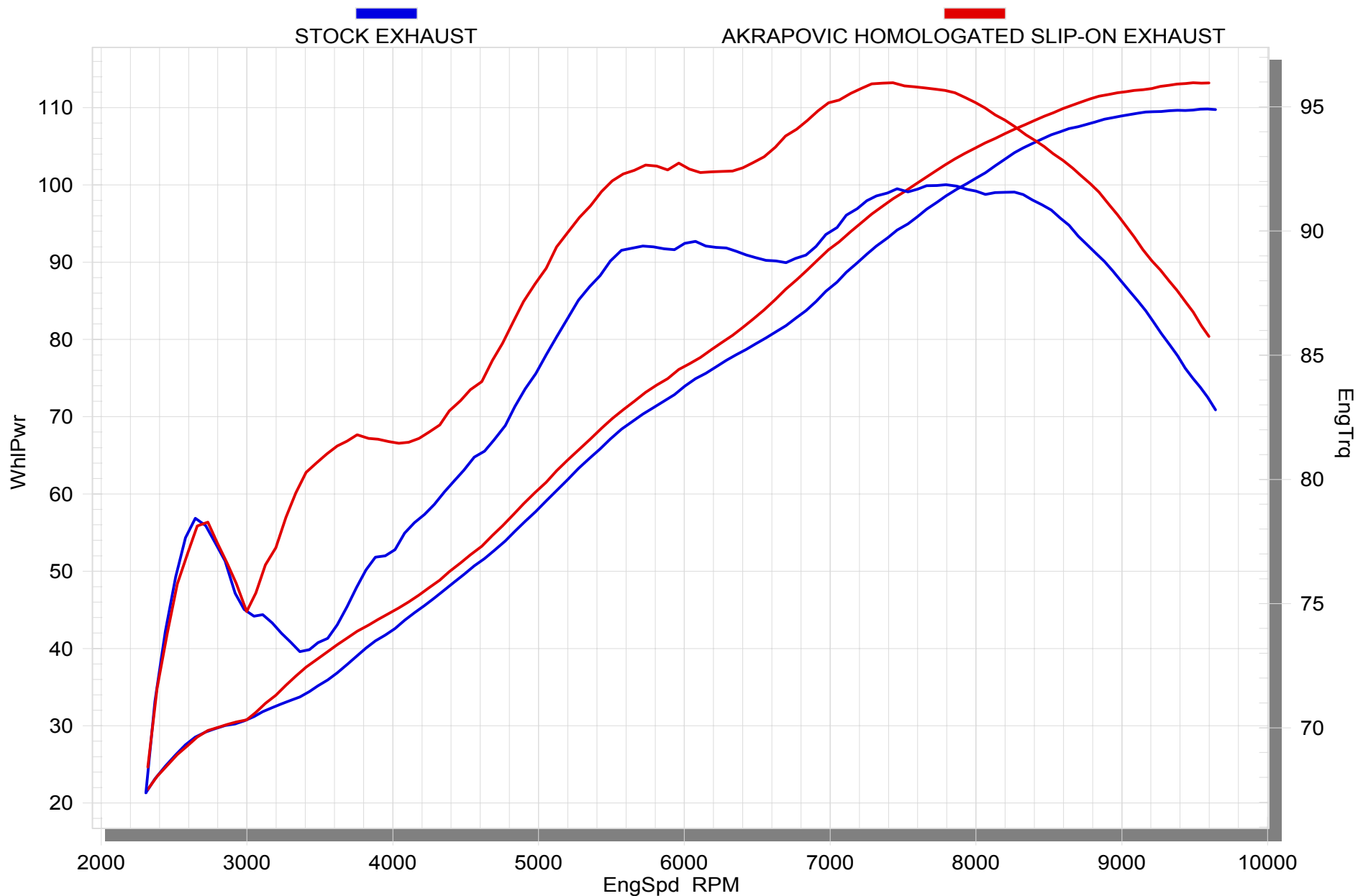
www.akrapovic.com
Akrapović d.d. 2008 all rights reserved



Product code: (110075) S-H10SO7T-HTC, (110074) S-H10SO7T-HTT Street legal
(110090) L-H10SO5L – Optional Link pipe **READ WARNING**



Product code: (110075) S-H10SO7T-HTC, (110074) S-H10SO7T-HTT Street legal
 (110090) L-H10SO5L – Optional Link pipe **READ WARNING**



Product code: (110075) S-H10SO7T-HTC, (110074) S-H10SO7T-HTT Street legal
 (110090) L-H10SO5L – Optional Link pipe **READ WARNING**