



Kawasaki KLV 1000 (2004)  
Suzuki V-Strom DL 1000 (2004)

Slip-On SP Series Exhaust System

# Akrapovic Slip-On SP Series Exhaust System

for the Suzuki V-Strom DL 1000 (2004), Kawasaki KLV 1000 (2004)

SP SERIES exhaust systems are made of high-quality stainless steel in order to make the given model of exhaust system more affordable. Since the Suzuki and Kawasaki are set up similarly, this Akrapovic SLIP-ON SP SERIES exhaust system fits on both motorcycles. The system is designed for riders who want to make a primarily aesthetic modification to their bike at a reasonable price. The system also includes a built-in noise damper, and therefore conforms to traffic regulations with regard to exhaust system noise levels for street use.

## PERFORMANCE

Measurements of the Akrapovic SLIP-ON SP SERIES system on the SUZUKI V-STROM DL 1000 (without noise damper):

Power: the engine breathes nicely through the system, as shown by the power and torque curves. The power increase grows linearly all the way from the low end right to the top of the rpm range. Max. power of 96.7 HP is achieved at 8200 rpm.  
Torque: the stock torque figures are substantially increased throughout the rpm range with the Akrapovic SLIP-ON SP SERIES. The increase is most noticeable at around 6000 rpm, which suits the character and purpose of the bike.

## CONFIGURATION

The Akrapovic SLIP-ON SP SERIES exhaust system is the same for both the Suzuki and the Kawasaki. It is made up of two stainless steel cylindrical link pipes and two mufflers. The individual link pipes are attached to the stock header assembly and the mufflers using free-floating joints. The connection to the header assembly is secured with a metal clamp and a spring, while the muffler joint uses only a spring. The mufflers are attached to the frame using Akrapovic carbon-fiber clamps. The mufflers have built-in noise dampers with which they conform to exhaust system noise level regulations for street use.

	PERFORMANCE		
	stock	AKRAPOVIC	max. increased power
max. rear wheel power HP / rpm (measured on SuperFlow Cycle Dyn)	94.3 / 8200	96.7 / 8200	3.8 / 7000

	CONFIGURATION		
	header tubes	collector	link pipe
material	-	-	STAINLESS STEEL
tube shape	-	-	CYLINDRICAL

interference crossover tubes	-	lambda sensor	-
header tube inner sleeves	-	header tube flanges	-
header tubes - collector connection	-	collector / header tube - link pipe connection	FREE-FLOATING + METAL CLAMP + SILICON SHIELDED SPRING
link pipe - muffler connection	FREE-FLOATING + SILICON SHIELDED SPRING	muffler inlet cap / outlet cap	STAINLESS STEEL / STAINLESS STEEL
muffler metal interior	STAINLESS STEEL	muffler outer sleeve	TITANIUM
muffler clamp	CARBON-FIBER ROAD	muffler bracket	-
noise damper	HOMOLOGATED	heat shield	-

OPTIONS				
link pipe	noise damper	muffler outer sleeve	muffler bracket	heat shield
-	-	-	-	-

	ADDITIONAL DATA				
	stock	AKRAPOVIC		difference	
		S.S. link pipe	TITANIUM link pipe	stock - S.S.	stock - titanium
weight comparison (kg)	12.28	4.78	-	7.50	-
noise measurements (dB / rpm)	stock		AKRAPOVIC		
	92 / 3800		92 / 3800		
possibility of periodic service without removing A.E.S.	oil		oil filter		
	YES		YES		
legal for street use	YES				

Technical specifications of Akrapovic exhaust systems and related products subject to change without notice.

# Akrapovic Slip-On SP Series Exhaust System

for the Suzuki V-Strom DL 1000 (2004), Kawasaki KLV 1000 (2004)



CARBON-FIBER  
MUFFLER CLAMPS



Road  
Program

Product code: 102793 (SS-S10SO1-HT)



Akrapovic Exhaust System Technology copyright 2004, all rights reserved

# Akrapovic Slip-On SP Series Exhaust System

for the Suzuki V-Strom DL 1000 (2004), Kawasaki KLV 1000 (2004)



Akrapovic Exhaust System Technology copyright 2004, all rights reserved

Road Program

# Akrapovic Slip-On SP Series Exhaust System

for the Suzuki V-Strom DL 1000 (2004), Kawasaki KLV 1000 (2004)

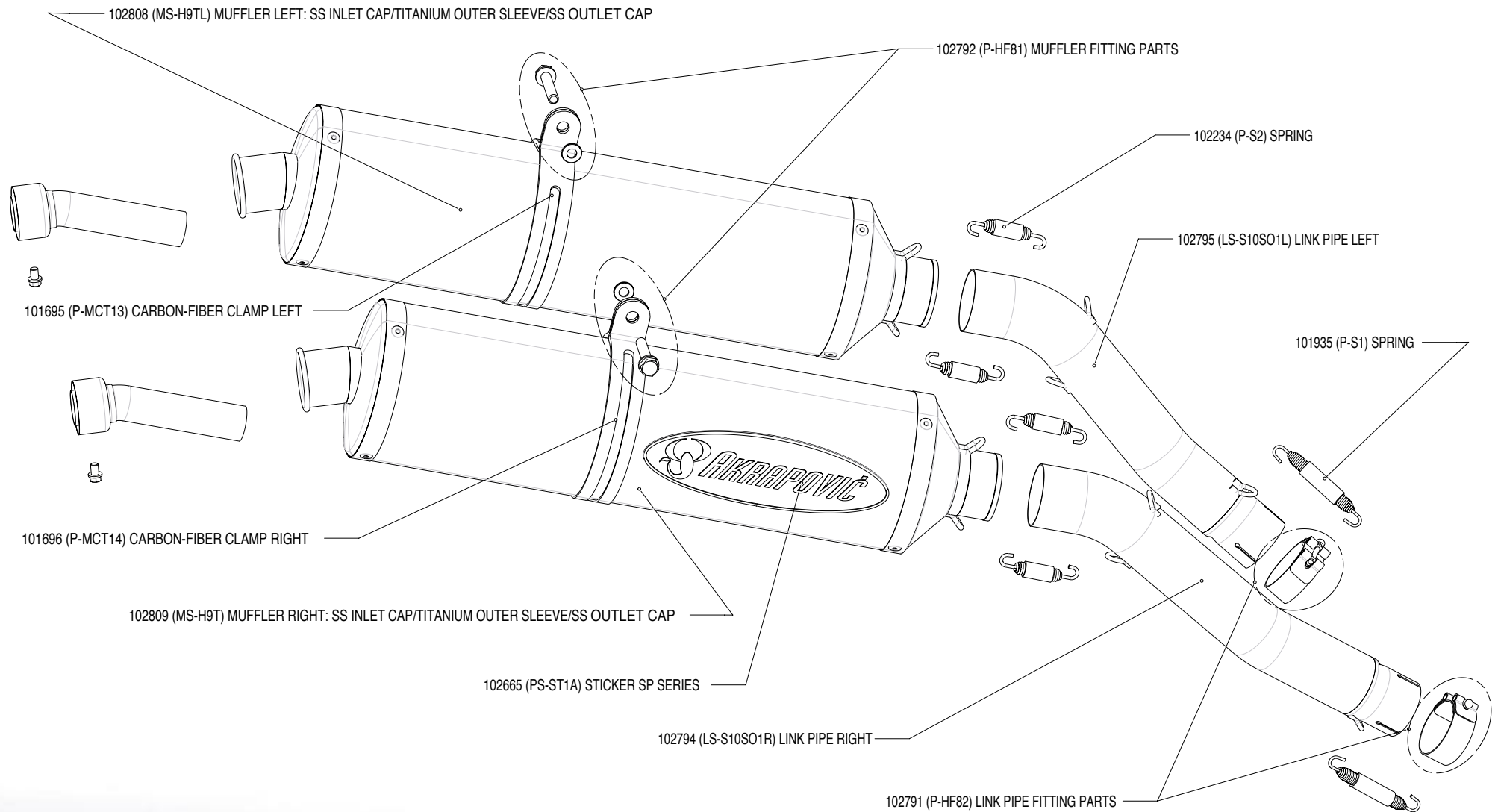


Akrapovic Exhaust System Technology copyright 2004, all rights reserved

Road Program

# Akrapovic Slip-On SP Series Exhaust System

for the Suzuki V-Strom DL 1000 (2004), Kawasaki KLV 1000 (2004)



Akrapovic Exhaust System Technology copyright 2004, all rights reserved

Road Program

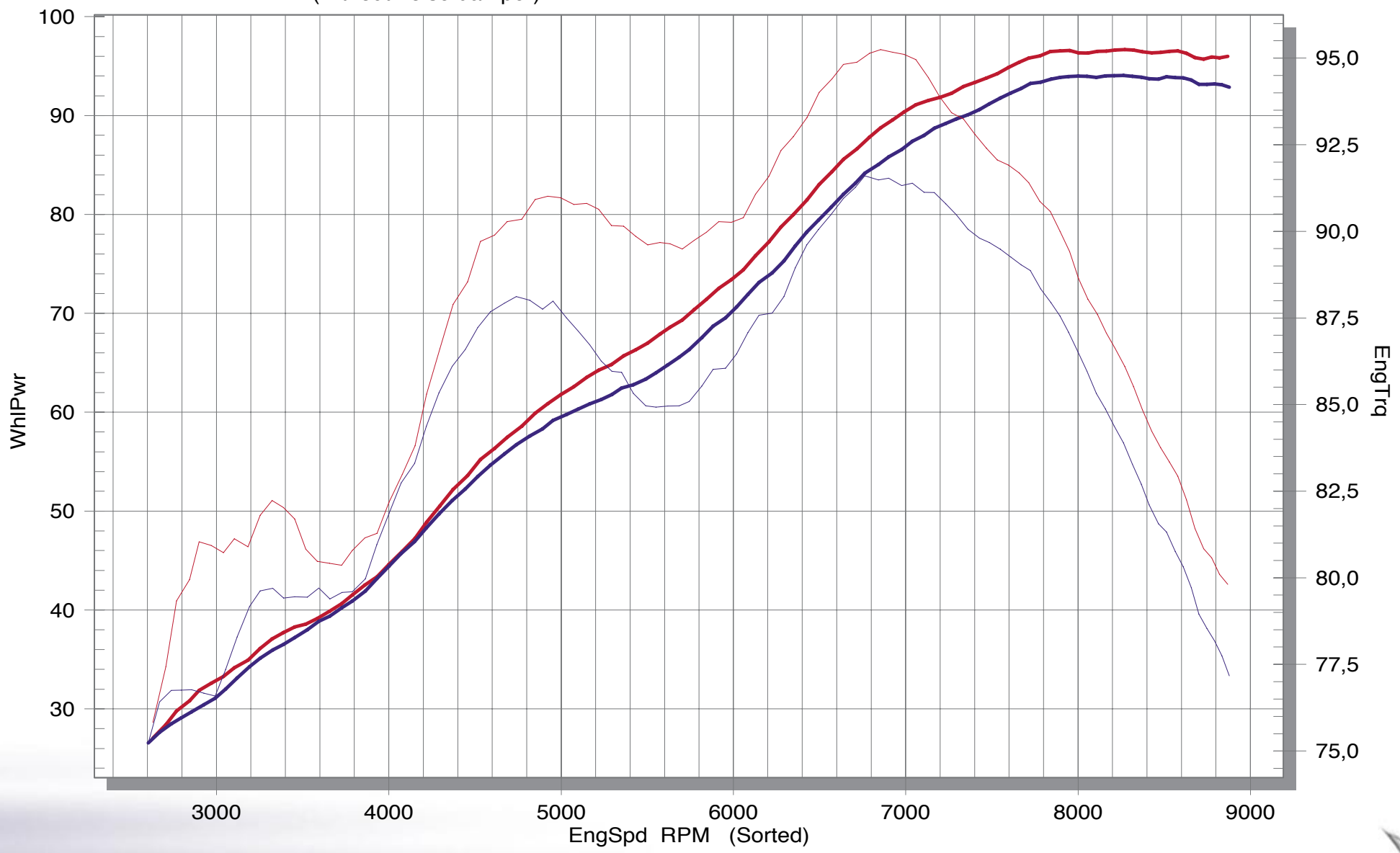


# Akrapovic Slip-On SP Series Exhaust System

for the Suzuki V-Strom DL 1000 (2004), Kawasaki KLV 1000 (2004)

**AKRAPOVIC SLIP-ON SP SERIES EXHAUST**  
(without noise damper)

**STOCK EXHAUST**



Road Program



Akrapovic Exhaust System Technology copyright 2004, all rights reserved